

EcoGun AS AUTO

Automatic Air Spray Gun

Description

The **EcoGun AS AUTO** is a fully automatic air spray gun that has been designed for first class quality coating of liquid paints such as clear and base coats in the automotive, wood working, machining and construction industry. It is equipped with an internal air regulation

and therefore only requires an „on-off“ impulse via a control valve. Remote control of spray pattern is possible by simply substituting the manual adjustment by a standard push-in air connection.



Customer Benefits

- » Top quality coating
- » Round to flat spray pattern
- » Material path and nozzle set in stainless steel
- » Two material inlets (circulation possible)
- » Bracket vernier to ensure equal spraying position
- » Two variants of micro-regulators
- » Manual or remote spray pattern regulation
- » Separate regulators for atomization and shaping air
- » Easy cleaning and maintenance
- » ATEX Ex II 2G T6 X



EcoGun AS AUTO N36210008V

Specification

Weight	725 g
Material Gun Body	Stainless steel, AL.
Parts contacted by media	Stainless steel
Connector Fluid	M14x1.5
Connector Air	Push-in 8mm
Connector Air, pilot	Push-in 6mm
Switching frequency max.	120/min [2 Hz]
Recom. Air Pressure	3,0 bar [44 psi]
Air Consump. @recom. Air Press	190 - 330 NL/min
Air Consump. @recom. Air Press US	6.7 - 13,4 sft ³ /m
Pilot Air Pressure max.	4,0 bar [58 psi]
Atomizing Air Press. min.	1,5 bar [217 psi]
Atomizing Air Press. max.	6,0 bar [87 psi]
Fluid Pressure max.	6,0 bar [87 psi]
Operating temperature min	5 °C [41 °F]
Operating temperature max	40 °C [104 °F]
ATEX Marking	Ex II 2G T6 X

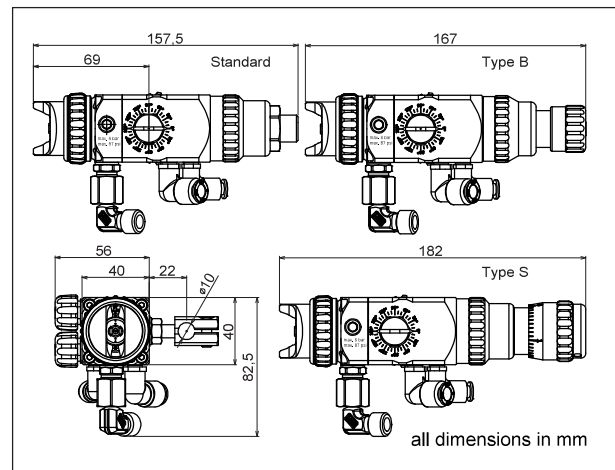
Nozzle Selection

Air Cap	Nozzle diameters [mm] / Media
PL	0,8 / 1,0 / 1,2 Fine finish coatings, top coats, clear coats, mordants
PC	1,6 / 1,8 / 2,0 / 2,2 General coatings e.g. primers, fillers
HM (HVLP)	1,0 / 1,2 Top coats, mordants

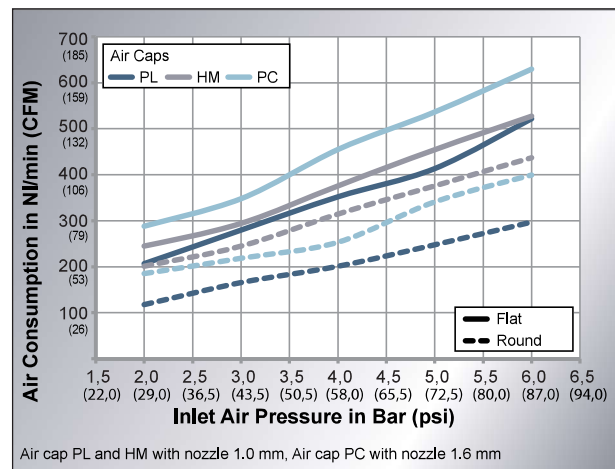
Accessories

Part No.	Description
M01010195	Connection air regulation external
M58100104	Hose connection M14x1,5 6/4
M58100105	Hose connection M14x1,5 8/6
N36960088	Ring kit, 5 colors
N08140002	Pressure Pot 10 A
N08140001	Pressure Pot 10
M55070387	Adapter M14x1.5 - 3/8"
N36960038	Cleaning kit 21 pc
M19140020	Extension NP 10-250 AS AUTO
M19140021	Extension NS 10-250 AS AUTO
M19140022	Extension LPS-300 AS AUTO

Dimensions



Characteristics



Further Information

Needle opening variants:
 Standard - adjustment by tool (Allen key)
 Type S: fine manual adjustment
 Type B: manual adjustment

If you require further information please do not hesitate to contact our Sales Team at +49 7142 78-0 or Industrial.Products@durr.com.